

REPLACEMENT PARTS LIST

Notes: *Important safety notice:

 Components identified by Δ mark have special characteristics important for safety.

Furthermore, special parts which have purposes of fire-retardant (resistors), high-quality sound (capacitors), low-noise (resistors), etc. are used.

When replacing any of components, be sure to use only manufacturer's specified parts shown in the parts list.

*The parenthesized indications in the Remarks columns specify the areas. (Refer to the cover page for area.)

Parts without these indications can be used for all areas.

*Remote Control Ass'y:

Supply period for three years from termination of production.

Ref. No.	Part No.	Part Name & Description	Remarks	Ref. No.	Part No.	Part Name & Description	Remarks
		INTEGRATED CIRCUIT(S)		D705	1SR35200TB	DIODE	Δ
				D709	MA165	DIODE	Δ
				D751	MA4160M	DIODE	
IC101	AN6558F	I. C. PHONO EQ AMP.		D752, 753	MA4082MTA	DIODE	
IC251	BA6218	I. C. MOTOR DRIVE		D761	MA4068M	DIODE	
IC301	UPC4570C	I. C. TONE AMP.		D801	1SS291TA	DIODE	
IC401	AN7062N	I. C. VOLTAGE AMP.		D802-808	MA165	DIODE	
IC501	SVI3205B	I. C. POWER AMP.		D810	LN038568PH	DIODE (LED)	
IC801	M37470M2063S	I. C. MICRO COMPUTER				VARIABLE RESISTOR(S)	
IC802	MN1381STA	I. C. RESET					
		TRANSISTOR(S)		VR201	EUWMHX001B15	V. R. VOLUME CONTROL	
				VR202	EVJ02QFA2G15	V. R. BALANCE	
Q401, 402	2SA1123RSTTA	TRANSISTOR		VR301, 302	EVJYA1FA2C15	V. R. BASS/TREBLE CONTROL	
Q451, 452	2SC2631RSTTA	TRANSISTOR		VR451, 452	EVNDXAA00B13	V. R. ICQ ADJ.	
Q453, 454	2SC3311A-Q	TRANSISTOR				THERMISTOR(S)	
Q455, 456	2SA1309A-R	TRANSISTOR					
Q457, 458	2SC2631RSTTA	TRANSISTOR		TH201, 202	ERTD2ZHL104T	THERMISTOR	
Q459, 460	2SA1123RSTTA	TRANSISTOR		TH451, 452	ERTD2ZGL251T	THERMISTOR	
Q461, 462	2SK20130Y	TRANSISTOR				COMPONENT COMBINATION(S)	
Q463, 464	2SJ3130Y	TRANSISTOR					
Q465, 466	2SC1685RST	TRANSISTOR		Z801	RCDHC-237	REMOTE SENSER	
Q501-503	2SA992EFPTA	TRANSISTOR				COIL(S)	
Q761	2SD2037DEFTA	TRANSISTOR		L1	SLQZ650MH49	COIL	Δ
Q762	2SC3311A-Q	TRANSISTOR		L251, 252	ELEXT1R0KA9	COIL	
Q763	UN4211	TRANSISTOR		L501-504	SLQY18G-10	COIL	
Q801-806	UN4211	TRANSISTOR		L551	ELEPK2R2MA	COIL	
Q807	UN4219TA	TRANSISTOR		L801	ELEXT101KA9	COIL	
Q808	UN4211	TRANSISTOR				TRANSFORMER(S)	
Q809-811	UN4111	TRANSISTOR					
		DIODE(S)		T1	RTP1N5B014-W	POWER TRANSFORMER	Δ
D401, 402	MA167	DIODE				OSCILLATOR(S)	
D403, 404	MA4036MTA	DIODE					
D405, 406	MA165	DIODE		X801	EFOGC4004TA	OSCILLATOR	
D451	MA29WA	DIODE				FUSE(S)	
D453-456	MA165	DIODE					
D461-464	MA4240H	DIODE		F1	XBA2C25TB0	FUSE	Δ
D465-468	MA167	DIODE				SWITCH(ES)	
D501, 502	MA165	DIODE					
D503, 504	MA4160M	DIODE					
D505	MA165	DIODE					
D602	LN014304P	DIODE (LED)					
D603	LN018304P	DIODE (LED)					
D701-704	P300DLF	DIODE	Δ				

Ref. No.	Part No.	Part Name & Description	Remarks
S1	ESB8249V	SW. POWER	△
S2	ESD26200A	SW. VOLTAGE SELECTOR	△
S101	RSR6B002-J	SW. INPUT SELECTOR	
S102	RSS60001	SW. REC. SELECTOR	
S201	ESB68137	SW. MODE	
S202	ESB68113	SW. LOUDNESS	
S203, 204	ESB68137	SW. SOURCE DIRECT/SUBSONIC	
S501	RSR4B004-A	SW. SPEAKER SELECTOR	
S801	EVQ21405R	SW. (REMOTE MODE) OFF	
		CONNECTOR (S)	
CN101	RJU003K010M1	SOCKET (10P)	
CN102	RJU003K008M1	SOCKET (8P)	
CN103, 104	RJU057W007	SOCKET (7P)	
CN105, 106	RJU057W009	SOCKET (9P)	
CN201	RJU003K010M1	SOCKET (10P)	
CN202	RJU003K006M1	SOCKET (6P)	
CN401, 402	RJU063W09T	SOCKET (9P)	
CN404	RJU003K010M1	SOCKET (10P)	
CN601	RJU003K008M1	SOCKET (8P)	
CN801	RJU063W07T	SOCKET (7P)	
CN802, 803	RJU063W09T	SOCKET (9P)	
CN804	RJU003K006M1	SOCKET (6P)	
CN805	SJS50581BB	SOCKET (5P)	
CN702A	RJS1A1704	SOCKET (4P)	
CN702B	RJS1A1703	CONNECTOR (3P)	
CP101	RJT003K010-1	CONNECTOR (10P)	
CP102	RJT003K008-1	CONNECTOR (8P)	
CP103, 104	RJT057W007-1	CONNECTOR (7P)	
CP105, 106	RJT057W009-1	CONNECTOR (9P)	
CP201	RJT003K010-1	CONNECTOR (10P)	
CP202	RJT003K006-1	CONNECTOR (6P)	
CP401, 402	RJT063W09T	CONNECTOR (9P)	
CP404	RJT003K010-1	CONNECTOR (10P)	
CP501	SJT30345JQ	CONNECTOR (3P)	
CP601	RJT003K008-1	CONNECTOR (8P)	
CP601	RJT063W07T	CONNECTOR (7P)	
CP802, 803	RJT063W09T	CONNECTOR (9P)	
CP804	RJT003K006-1	CONNECTOR (6P)	
CP805	SJT30549BB1	CONNECTOR (5P)	
		EARTH TERMINAL (S)	
AK451, 452	SJS227	TRANSISTOR SPRING	
E102	SNE1009	SHIELD PLATE	
E201	SNE1004-1	GND PLATE	
E501	SNE1004-1	GND PLATE	
E701	SNE1004-1	GND PLATE	
		FUSE HOLDER (S)	

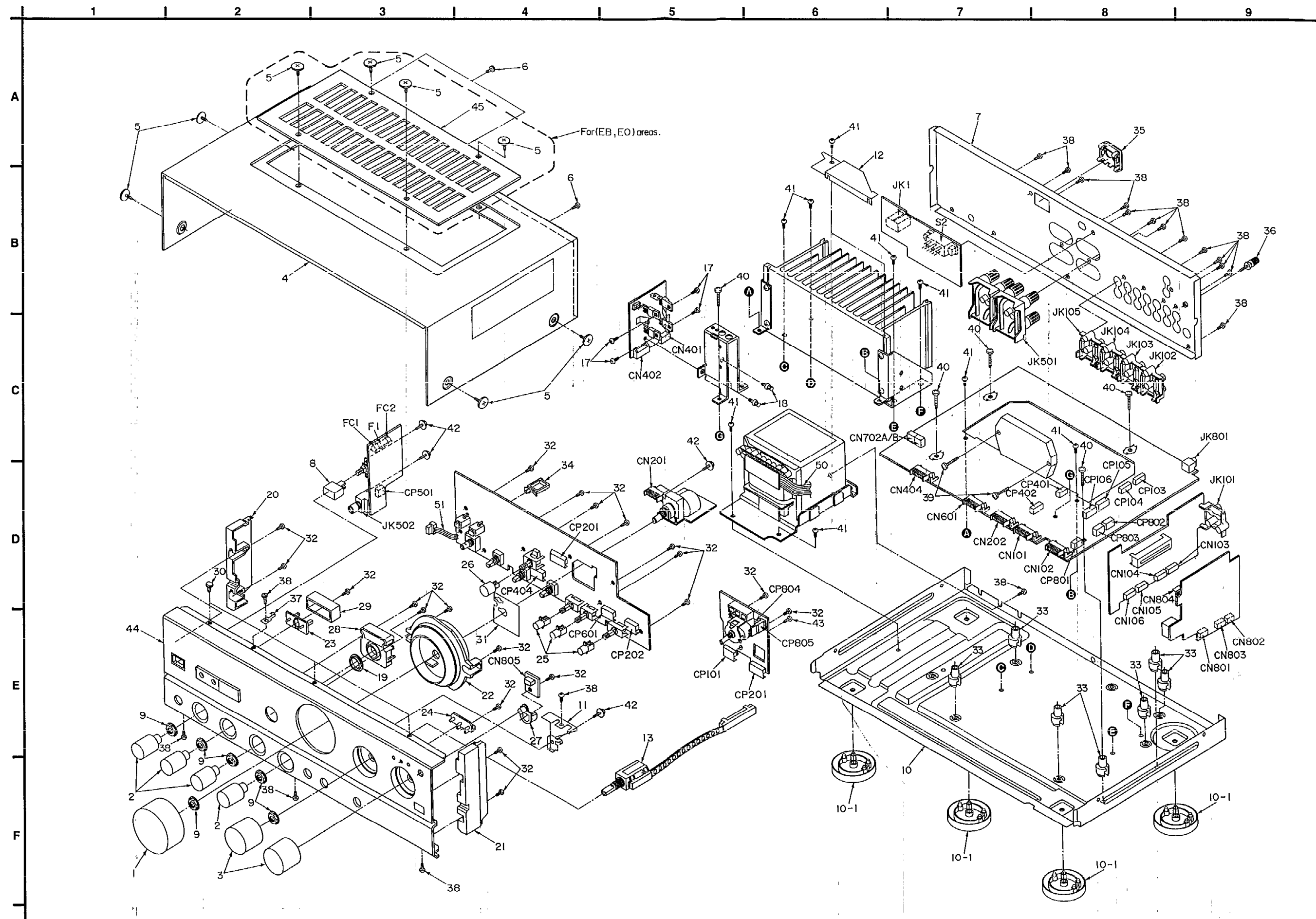
Ref. No.	Part No.	Part Name & Description	Remarks
FC1, 2	EYF52BC	FUSE HOLDER	△
		RELAY (S)	
RL201-203	RSY0014M-0	RELAY	
RL501, 502	RSY0013-0	RELAY	
RL503	RSY0014M-0	RELAY	
		JACK (S)	
JK1	SJS9231-1B	AC INLET	△
JK101	SJF3057-9N	PIHONO JACK	
JK102	SJF3068N	TUNER	
JK103	SJF3069N	CD/AUX	
JK104	SJF3069N	TAPE1	
JK105	SJF3069N	TAPEZ/DAT	
JK501	RJH4801-1	SPEAKER TERMINAL BOARD	
JK502	QJAD4552C-A	HEADPHONES JACK	
JK801	RJ33TR01	REMOTE CONTROL OUT	
		TEST POINT (S)	
TP451	RJU057W004	TEST POINT	

Notes : * Capacity values are in microfarads (uF) unless specified otherwise, P=Pico-farads (pF) F-Farads (F)
* Resistance values are in ohms, unless specified otherwise, 1K=1,000 (OHM) , 1M=1,000K (OHM)

Ref. No.	Part No.	Values & Remarks	Ref. No.	Part No.	Values & Remarks	Ref. No.	Part No.	Values & Remarks
		RESISTORS						
R101, 102	ERDS2TJ102	1/4W 1K	R501, 502	ERDS2TJ362T	1/4W 3.6K	C115, 116	ECQB1H562JF3	50V 5600P
R105, 106	ERDS2TJ224T	1/4W 220K	R503, 504	ERDAF2VJ121T	1/4W 120	C117, 118	ECEA1HKA010B	50V 1U
R109, 110	ERDS2TJ391	1/4W 390	R505, 506	ERDS2TJ392T	1/4W 3.9K	C119, 120	ECQB1H472JF3	50V 4700P
R113, 114	ERDS2TJ563	1/4W 56K	R507, 508	ERDAF2VJ121T	1/4W 120	C121, 122	ECKR1H1032F5	50V 0.01U
R117, 118	ERDS2TJ271	1/4W 270	R509-512	ERF2EXR10V	2W 0.1	C123, 124	ECEA1EKA3R3B	25V 3.3U
R123, 124	ERDS2TJ690T	1/4W 69	R513-516	ERDAF2VJ100T	1/4W 10	C201-204	ECCR1H101K5	50V 100P
R125, 126	ERDS2TJ184T	1/4W 180K	R517, 518	ERDAF2VJ180T	1/4W 1	C205-208	ECBT1H101K85	50V 100P
R127, 128	ERDS2TJ123	1/4W 12K	R519, 520	ERDS1FVJ688T	1/2W 6.8 △	C209, 210	ECCR1H101K5	50V 100P
R129, 130	ERDS2TJ563	1/4W 56K	R521, 522	ERDS1FVJ100T	1/2W 10 △	C213, 214	ECQV1H563JM3	50V 0.056U
R131, 132	ERDS2TJ102	1/4W 1K	R527	ERDS2TJ223	1/4W 22K	C219, 220	ECBT1H271K85	50V 270P
R201-210	ERDAS3G102T	1/4W 1K	R528	ERDS2TJ824	1/4W 820K	C221-224	ECBT1H81K85	50V 180P
R211, 212	ERDAS3G563T	1/4W 56K	R529	ERDS2TJ124T	1/4W 120K △	C231, 232	ECQV1H563JM3	50V 0.056U
R213, 214	ERDS2TJ183T	1/4W 18K	R530	ERDS1FVJ682T	1/2W 6.8K △	C251, 252	ECEADJKA101B	6.3V 100U
R215, 216	ERDS2TJ332	1/4W 3.3K	R531, 532	ERDS1FVJ100T	1/2W 10 △	C253, 254	ECQV1H104JM3	50V 0.1U
R217	ERDS2TJ824	1/4W 820K	R533, 534	ERDS2TJ182	1/4W 1.8K	C301, 302	ECA1HPKS3R3B	50V 3.3U
R219, 220	ERDLS2VJ272T	1/4W 2.7K	R555-558	ERG1SJ561E	1W 560	C303, 304	ECCR1H101K5	50V 100P
R221-224	ERDS2TJ471	1/4W 470	R559, 560	ERG1SJ102E	1W 1K	C305, 306	ECBT1H820K85	50V 82P
R235, 236	ERDS2TJ824	1/4W 820K	R561, 562	ERG1SJ151E	1W 150	C307, 308	ECA1HPKS4R7B	50V 4.7U
R251	ERDS1FVJ100T	1/2W 10 △	R563, 564	ERG1SJ181E	1W 180	C309, 310	ECBT1H390J5	50V 39P
R301, 302	ERDAS3G561	1/4W 560	R565-570	ERDS2TJ223	1/4W 22K	C311, 312	ECA1CPKS100B	16V 10U
R303, 304	ERDS2TJ823T	1/4W 82K	R604	ERDS2TJ221	1/4W 220	C313, 314	ECQV1H823JM3	50V 0.082U
R305, 306	ERDS2TJ224T	1/4W 220K	R707, 708	ERDAF2VJ688T	1/4W 6.8	C315, 316	ECQB1H153JF3	50V 0.015U
R307, 308	ERDS2TJ392T	1/4W 3.9K	R709, 710	ERDAF2VJ470T	1/4W 47	C317, 318	ECQB1H183JF3	50V 0.018U
R309, 310	ERDS2TJ223	1/4W 22K	R711	ERDS2TJ222	1/4W 2.2K △	C319, 320	ECQB1H222JF3	50V 2200P
R311, 312	ERDS2TJ102	1/4W 1K	R712	ERDS2TJ100	1/4W 10	C321, 322	ECBT1E2232F	25V 0.022U
R313, 314	ERDS2TJ392	1/4W 3.9K	R751, 752	ERDS1FVJ471T	1/2W 470 △	C323, 324	ECBT1H121K85	50V 120P
R315, 316	ERDAS3G392T	1/4W 3.9K	R753	ERDS1FVJ561T	1/2W 560 △	C401, 402	ECA1HPKS3R3B	50V 3.3U
R317, 318	ERDAS3G223T	1/4W 22K	R754	ERDS1FVJ221T	1/2W 220 △	C403, 404	ECCR1H271K5	50V 270P
R319, 320	ERDS2TJ183T	1/4W 18K	R755-757	ERDS1FVJ271T	1/2W 270 △	C405, 406	ECA1CPKS220B	16V 22U
R401, 402	ERDS2TJ122	1/4W 1.2K	R761	ERDS2TJ102	1/4W 1K	C407, 408	ECBT1H820K85	50V 82P
R403, 404	ERDS2TJ823T	1/4W 82K	R762	ERDS2TJ103	1/4W 10K	C409, 410	ECBT1H150J5	50V 15P
R405, 406	ERDAS3G272T	1/4W 2.7K	R801-804	ERDS2TJ102	1/4W 1K	C411, 412	ECBA1H681K85	50V 680P
R407, 408	ERDAS3G823T	1/4W 82K	R805, 806	ERDS2TJ103	1/4W 10K	C413, 414	ECCV2H070D	500V 7P
R409, 410	ERDS2TJ561	1/4W 560	R807	ERDS2TJ102	1/4W 1K	C415, 416	ECQB1H102JF3	50V 1000P
R411, 412	ERDAF2VJ470T	1/4W 47	R808, 809	ERDS2TJ223	1/4W 22K	C426	ECBT1H102K85	50V 1000P
R437	ERDS2TJ473	1/4W 47K	R810, 811	ERDS2TJ102	1/4W 1K	C427	ECBT1E2232F	25V 0.022U
R451, 452	ERDAF2VJ472T	1/4W 4.7K	R812-814	ERDS2TJ391	1/4W 390	C428	ECKR1H1032F5	50V 0.01U
R453, 454	ERDAF2VJ151T	1/4W 150	R815	ERDS2TJ102	1/4W 1K	C451, 452	ECKR1H332F5	50V 0.033U
R455, 456	ERDAF2VJ271T	1/4W 270	R816	ERDS2TJ104	1/4W 100K	C453-456	ECCV2H680K	500V 68P
R457	ERDS2TJ823T	1/4W 82K	R817	ERDS2TJ103	1/4W 10K	C457-460	ECEA1HKA3H3B	50V 3.3U
R459, 460	ERDAF2VJ101T	1/4W 100				C461, 462	ECKR2H1032U	500V 0.01U
R461-464	ERDS2TJ223	1/4W 22K				C501-504	ECAQJPKS101B	6.3V 100U
R465-468	ERDAF2VJ101T	1/4W 100				C505, 506	ECQV1H473JM3	50V 0.047U
R469, 470	ERDAF2VJ182T	1/4W 1.8K				C507	ECEADJKA101B	6.3V 100U
R471-474	ERDAF2VJ2R2T	1/4W 2.2				C508	ECA1HMA70B	50V 47U
R475, 476	ERDAF2VJ151T	1/4W 150				C509	ECEA1H100SB	50V 10U △
						C511, 512	ECBT1H180J5	50V 18P
						C513-518	ECQV1H473JM3	50V 0.047U
						C519-522	ECQB1H153JF3	50V 0.015U

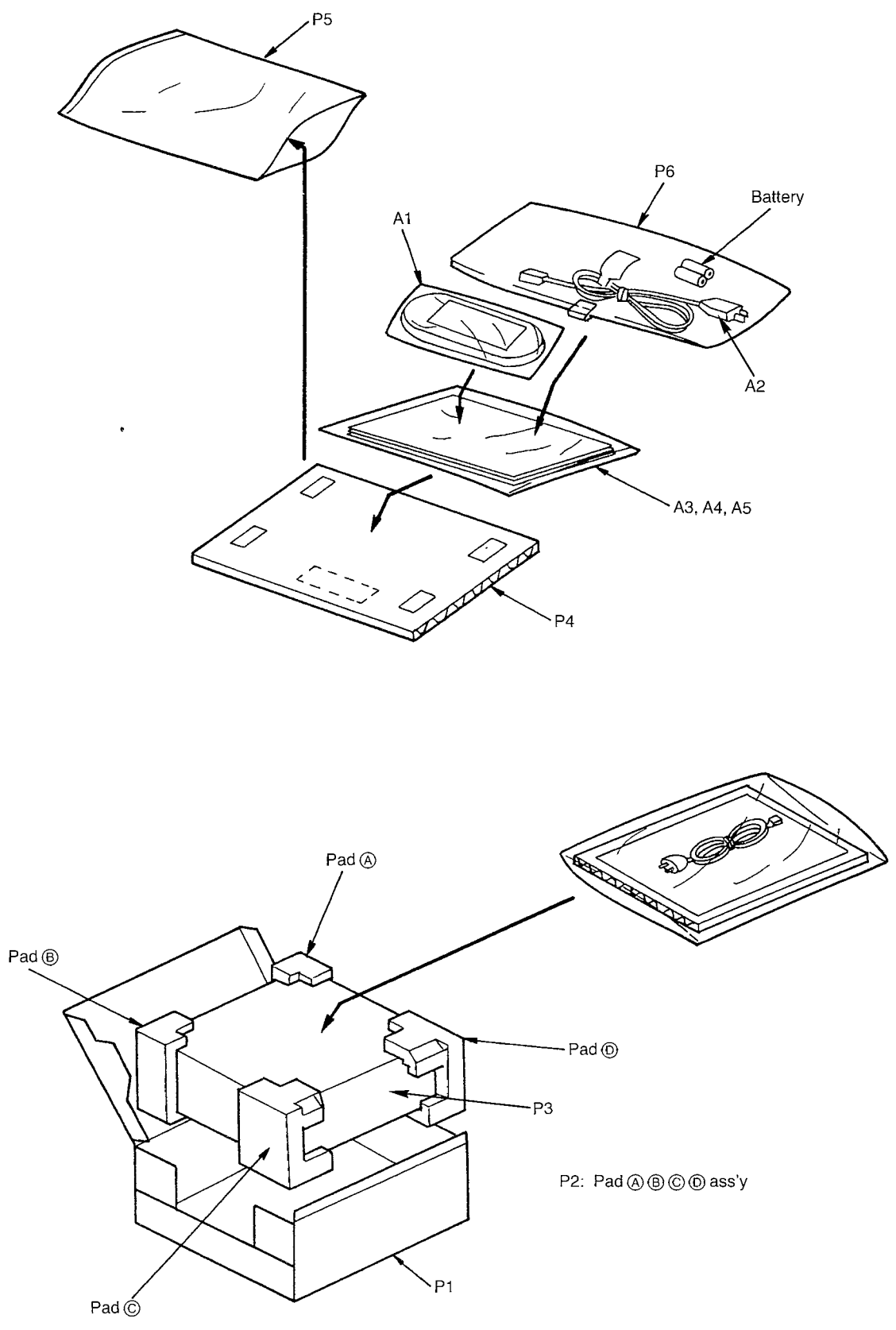
Ref. No.	Part No.	Values & Remarks
C523, 524	ECBT1H102K85	50V 1000P
C525, 526	ECQB1H152JF3	50V 1500P
C531, 532	ECBT1C332KR5	16V 3300P
C551, 552	ECEA1JU010B	63V 1U
C701, 702	ECEA1H562JF3	50V 6800U
C707, 708	ECA1JAP220B	83V 22U
C711	ECQE2104KF3	250V 0.1U △
C713	ECQV1H104JM3	50V 0.1U △
C714	ECA1CM471B	16V 470U
C715	ECEA1HKA010B	50V 1U
C716	ECA1CM102B	16V 1000U
C751, 752	ECA1EPXS470B	25V 47U
C761	ECEA1CKA101B	16V 100U
C762	ECBT1E1032F	25V 0.01U
C763	ECEA1KA470B	10V 47U
C801	ECAQJMK02B	6.3V 1000U
C802	ECBT1E1032F	25V 0.01U
C804	ECEADJKA101B	6.3V 100U
C805	ECBT1H101K85	50V 100P
C806	ECEA1HKA2R2B	50V 2.2U
C807	ECEA1HKA47B	50V 0.47U
C808, 809	ECBT1E1032F	25V 0.01U
C810	ECEA1CKA220B	16V 22U
C811, 812	ECEA1HKA47B	50V 0.47U

CABINET PARTS LOCATION



Ref. No.	Part No.	Part Name & Description	Remarks	Ref. No.	Part No.	Part Name & Description	Remarks
		CABINET PARTS				PACKING MATERIAL	
1	RGW0127A-K	VOLUME KNOB		P1	RPG1342	PACKING CASE	
2	RGW0150-K	TOPE KNOB		P2	RPM0539	PAD	
3	RGW0151-K	SELECTOR KNOB		P3	XZB50X65A02Z	PROTECTION COVER	
4	RMND036A-K	CABINET	(EG)	P4	RPQ0164	ACCESSORY PAD	
4	RMND179-K	CABINET	(EB, EO)	P5	XZB24X34C04	PROTECTION COVER	
5	SNE2129-1	SCREW		P6	XZB22X20C03	PROTECTION COVER	
6	XTBS3+8JFZ1	SCREW				ACCESSORIES	
7	RGRO152A-A	REAR PANEL	(EG)				
7	RGRO152A-C	REAR PANEL	(EO)				
7	RGRO152A-B	REAR PANEL	(EB)	A1	RAK-SU301W	REMOTE CONTROL TRANSMITTER	
8	RGU0030	POWER BUTTON		A1-1	RKK0020-K	BATTERY COVER	for REMOTE CONT.
9	RHN90001	NUT		A2	RJAD019-1K	AC POWER SUPPLY CORD	(EG, EO) Δ
10	RFKJUVX620EG	BOTTOM BOARD ASS'Y		A2	SJA193	AC POWER SUPPLY CORD	(EB) Δ
10-1	RKAD053-A	FOOT		A3	RQT1624-E	INSTRUCTIONS MANUAL	(EO)
11	RMCO142	REC EARTH SPRING		A3	RFKSUVX620EG	INSTRUCTIONS MANUAL	(EG)
12	RMND189	P. C. B. ANGLE		A3	RQT1623-B	INSTRUCTIONS MANUAL	(EB)
13	RSQU022	REMOTE SWITCH CONTROLLER		AA4	RQADU13	WARRANTY CARD	
17	XTB3+8JFZ	SCREW		A5	RQCB0169	SERVICE CENTER LIST	
18	SHR415	LATCH					
19	RGND394-A	RING					
20	RGND412-K	SIDE ORNAMENT (L)					
21	RGND413-K	SIDE ORNAMENT (R)					
22	RGND480-K	VOLUME ORNAMENT					
23	RGLO164-C	ORNAMENT					
24	RGLO165-C	ORNAMENT					
25	RGU0609-K	MODE BUTTON					
26	RGU0611-K	DIRECT BUTTON					
27	RGU0764-K	REMOTE CONTROL BUTTON					
28	RMRO460-K	HOLDER					
29	RMRO461-K	HOLDER					
30	RMRO502	SPACER					
31	RSO0287	SHIELD PLATE					
32	XTBS26+8J	SCREW					
33	SHE187-2	P. C. B. SPACER					
34	SHR9814	CLIMPER					
35	SJS9231A	AC INLET COVER					
36	SNE2123	GND SCREW					
37	SUS890	SPRING					
38	XTBS3+8JFZ1	SCREW					
39	XTW3+15T	SCREW					
40	XTB3+2DJFZ	SCREW					
41	XTB3+8JFZ	SCREW					
42	XTWS3+8T	SCREW					
43	XTBS26+8J	SCREW					
44	RFKJUVX620EG	FRONT PANEL ASS'Y					
45	RGND415-K	UPPER PLATE	(EB, EO)				
50	RWJ3907130QQ	FLAT CABLE (7P) (#702)					
51	RWJ3903050KX	FLAT CABLE (3P) (#501)					

■ PACKAGING



1510